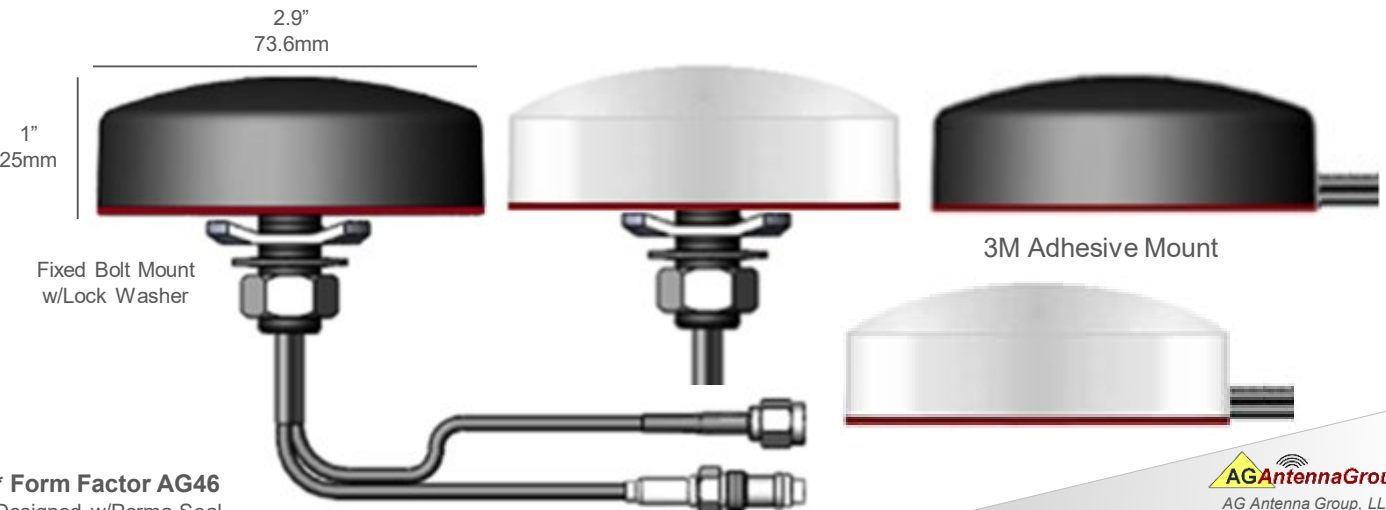


**AG46 Enterprise Grade Antenna Specifications**

MIMO Cellular 3G 4G 5G LTE AWS XLTE / GPS GNSS / MIMO WiFi / Bluetooth 2.4 5GHz (Concurrent)  
*Built in Ground Plane / FirstNet Compliant*

<b>LTE Frequencies WiFi / Bluetooth</b>	600MHz - 3800MHz 2.4-2.5GHz / 4.9-5.9GHz	<b>GPS / GNSS Frequencies</b>	1562MHz - 1612MHz w/Front End SAW Filter
<b>Peak Gain</b>	3dBi / 4dBi	<b>GPS Amplifier</b>	29dB min gain
<b>VSWR</b>	<1.5:1	<b>Ariel Ratio</b>	3.0dB max
<b>Impedance</b>	50 Ohms	<b>Polarization</b>	R.H.C.P. / Hemispherical
<b>Max Power</b>	50 Watts	<b>Bandwidth</b>	2 MHz min
<b>Polarization</b>	Vertical	<b>VSWR</b>	1.9:1 max
<b>Radiation Pattern</b>	Omni Directional	<b>Noise Figure</b>	1.5dB Typical / 2dB Max
<b>Case Material</b>	ABS Polymer	<b>Voltage Supply</b>	3 to 5 VDC
<b>Connector Types</b>	All Standard RF Connectors Available		
<b>Antenna Coax Cables</b>	Standard LTE Cable: 15ft RG58U / Standard GPS WiFi Bluetooth Cables – 15ft RG174 * Custom cable lengths are available		
<b>Mount Options</b>	5/8" x 1/2" Bolt Mount 3M Adhesive Mount		
<b>Antenna Configuration Options</b>			
<b>2 Element Configurations</b>	(LTE 4G 5G / GPS) (LTE 4G 5G / Dual Band WiFi) (GPS / Dual Band WiFi) (MIMO 2 x LTE 4G 5G) (MIMO 2 x Dual Band WiFi)		
<b>Single Element</b>	(Cellular 3G 4G 5G LTE) (GPS) (WiFi) (Bluetooth)		



**\* Form Factor AG46**  
 Designed w/Perma-Seal  
 Technology to Resist  
 Weather, Theft & Vandalism